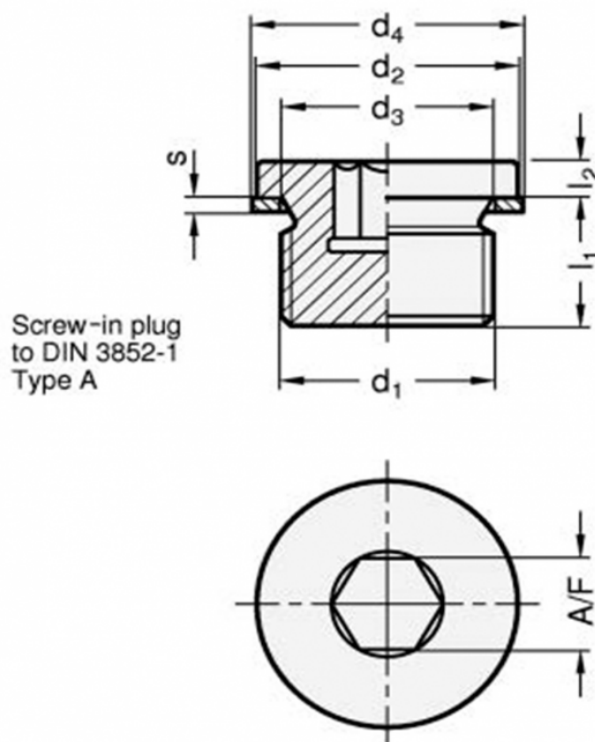


Article number: 20908STM272A

Description: E+G Threaded plug DIN 908-ST-M27x2-A

Measures



A/F	= 12
d1	= M27x2
d2h14	= 32
d3	= 27.3
d4	= 32
l1	= 16
l2	= 4
s	= 2

Weight in (g) = 75